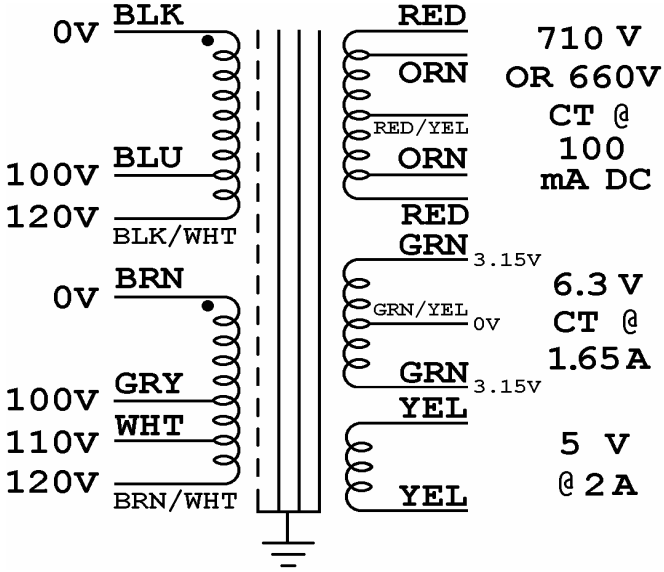
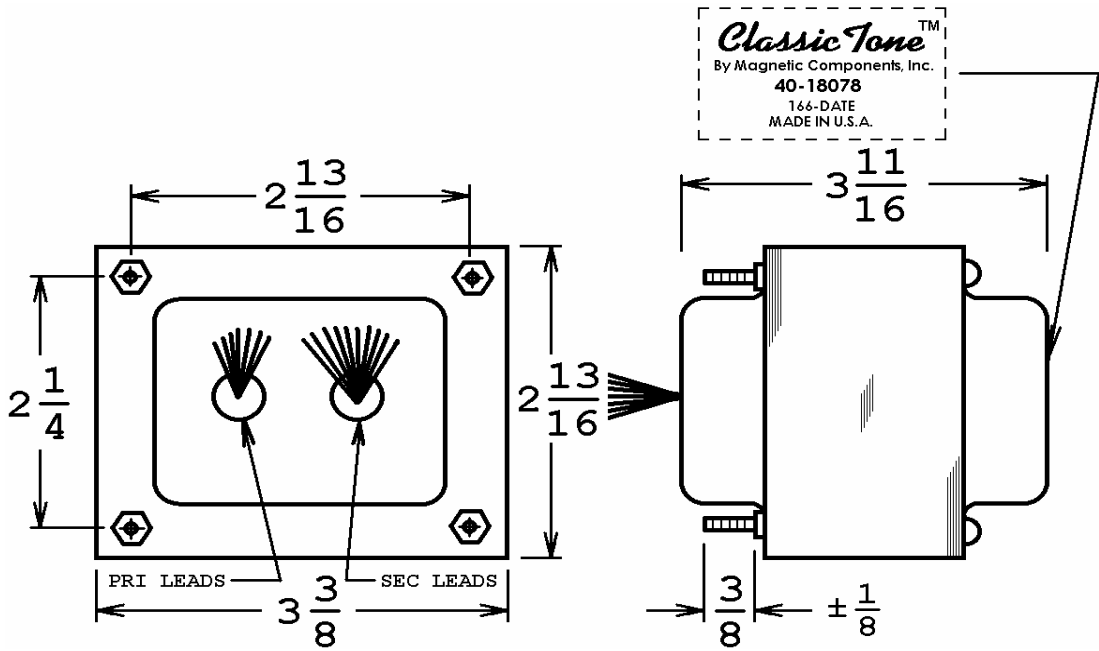


This drawing is the property of Magnetic Components, Inc. and shall not be reproduced, in whole or in part, without the written permission of Magnetic Components, Inc.

REVISIONS			
LTR	DESCRIPTION	DATE	APPROVED
A	CHANGE TO TWO HOLE END BELL	07/27/11	M. Sacketti
B	ADD MOUNTING HARDWARE NOTE	10/31/11	M. Sacketti



SEE SHEET 2 FOR PRIMARY CONNECTIONS

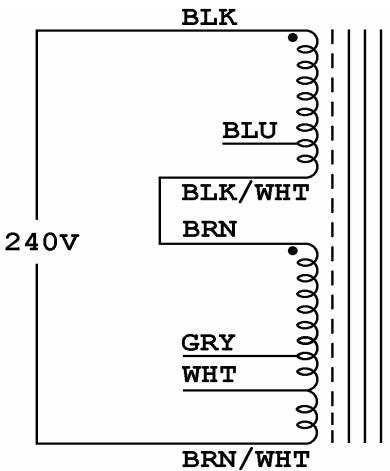
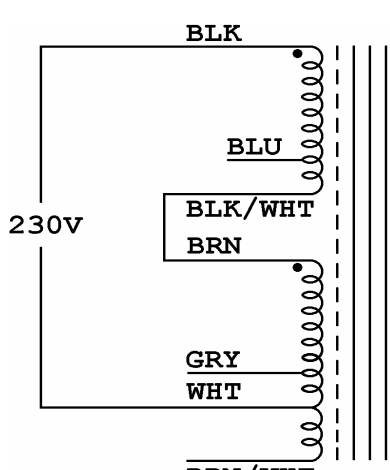
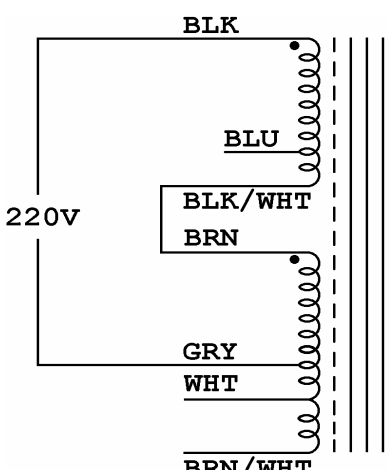
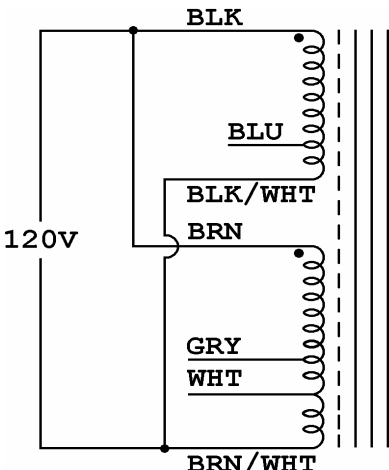
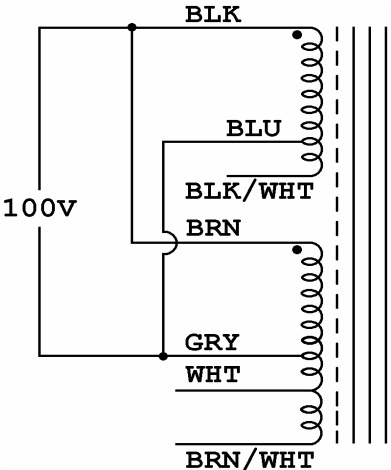
USE RED-RED/YEL-RED FOR 355V-0-355V (710V CT), B+ = APPROX. 395V DC.  
 USE ORN-RED/YEL-ORN FOR 330V-0-330V, (660V CT), B+ = APPROX. 365V DC.

USE FOUR # 8-32 HEX NUTS (NOT SUPPLIED) FOR CHASSIS MOUNTING. PLEASE DO NOT REMOVE EXISTING HEX NUTS.

UNLESS OTHERWISE SPECIFIED ALL DIMENSIONS IN INCHES DO NOT SCALE DRAWING FRACTIONS +/- .X = +/- .XX = +/- .XXX = +/- ANGLES = +/-	SIGNATURES		DATE		MAGNETIC COMPONENTS, INC.		DIV : LOC : SCHILLER PK	
	DRAWN : <i>M. Sacketti</i>		15 JUL 11		TITLE 5E3 TWEED DELUXE POWER TRANSFORMER			
	CHECK :				CAGE 50508		SIZE PART No.	
	APPR : <i>M. Sacketti</i>		15 JUL 11		SCALE NONE		A 40-18078	
				SHEET : 1 OF 2				REV B

This drawing is the property of Magnetic Components, Inc. and shall not be reproduced, in whole or in part, without the written permission of Magnetic Components, Inc.

REVISIONS			
LTR	DESCRIPTION	DATE	APPROVED



UNLESS OTHERWISE SPECIFIED ALL DIMENSIONS IN INCHES DO NOT SCALE DRAWING FRACTIONS +/- .X = +/- .XX = +/- .XXX = +/- ANGLES = +/-	SIGNATURES		DATE	MAGNETIC COMPONENTS, INC.		DIV : LOC : SCHILLER PK	
	DRAWN : <i>Mef</i>		15 JUL 11	TITLE PRIMARY WIRING DIAGRAMS			
	CHECK :						
	APPR : <i>M. Lockert</i>		15 JUL 11	CAGE 50508	SIZE <b>A</b>	PART No. <b>40-18078</b>	REV <b>B</b>
			SCALE NONE	SHEET : 2 OF 2			