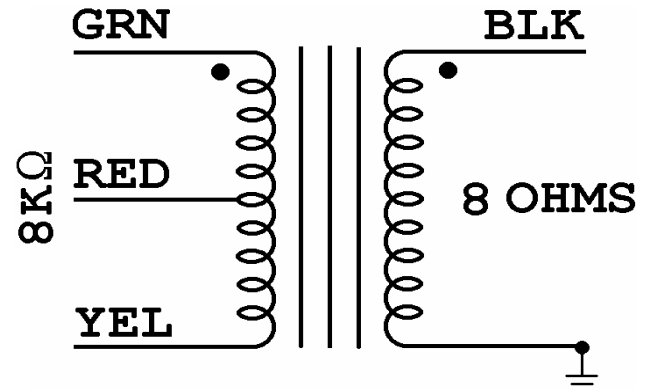
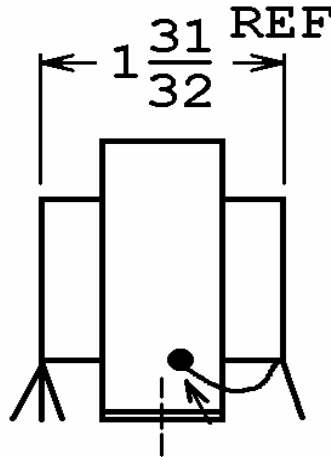
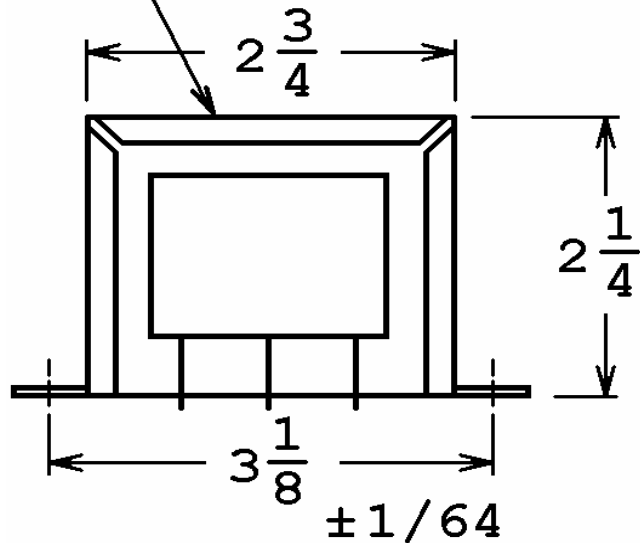


40-18022

This drawing is the property of Magnetic Components, Inc. and shall not be reproduced, in whole or in part, without the written permission of Magnetic Components, Inc.

| REVISIONS | | | |
|-----------|-----------------------------|----------|-------------|
| LTR | DESCRIPTION | DATE | APPROVED |
| A | ADD PRIMARY IMPEDANCE | 09/02/09 | M. Sacketti |
| B | ADD ClassicTone, FENDER P/N | 01/08/10 | M. Sacketti |
| C | ADD FRAME GROUNDING NOTE | 04/05/11 | M. Sacketti |

ClassicTone™
By Magnetic Components, Inc.
40-18022



NOTE: ONE SECONDARY WIRE IS GROUNDED TO THE TRANSFORMER'S FRAME. THE MOUNTING FEET MUST MAKE GOOD ELECTRICAL CONTACT TO THE CHASSIS.

FENDER P/N :
50246

| UNLESS OTHERWISE SPECIFIED | | SIGNATURES | | DATE | MAGNETIC COMPONENTS, INC. | | DIV : | | |
|--|--|--------------------------|--|-----------|----------------------------|-------|-------------------|-----------------|----------|
| ALL DIMENSIONS IN INCHES DO NOT SCALE DRAWING | | DRAWN : <i>M.S.</i> | | 04 JUN 09 | TITLE 5E3 OUTPUT | | LOC : SCHILLER PK | | |
| | | CHECK : | | | | | | | |
| FRACTIONS +/- | | APPR : <i>M.Sacketti</i> | | 04 JUN 09 | CAGE | 50508 | SIZE | PART No. | REV |
| .X = +/- | | | | | | | A | 40-18022 | C |
| .XX = +/- | | | | | SCALE | NONE | | | |
| .XXX = +/- | | | | | | | | | |
| ANGLES = +/- | | | | | | | | SHEET : | |